

1

2

3

4

5

6

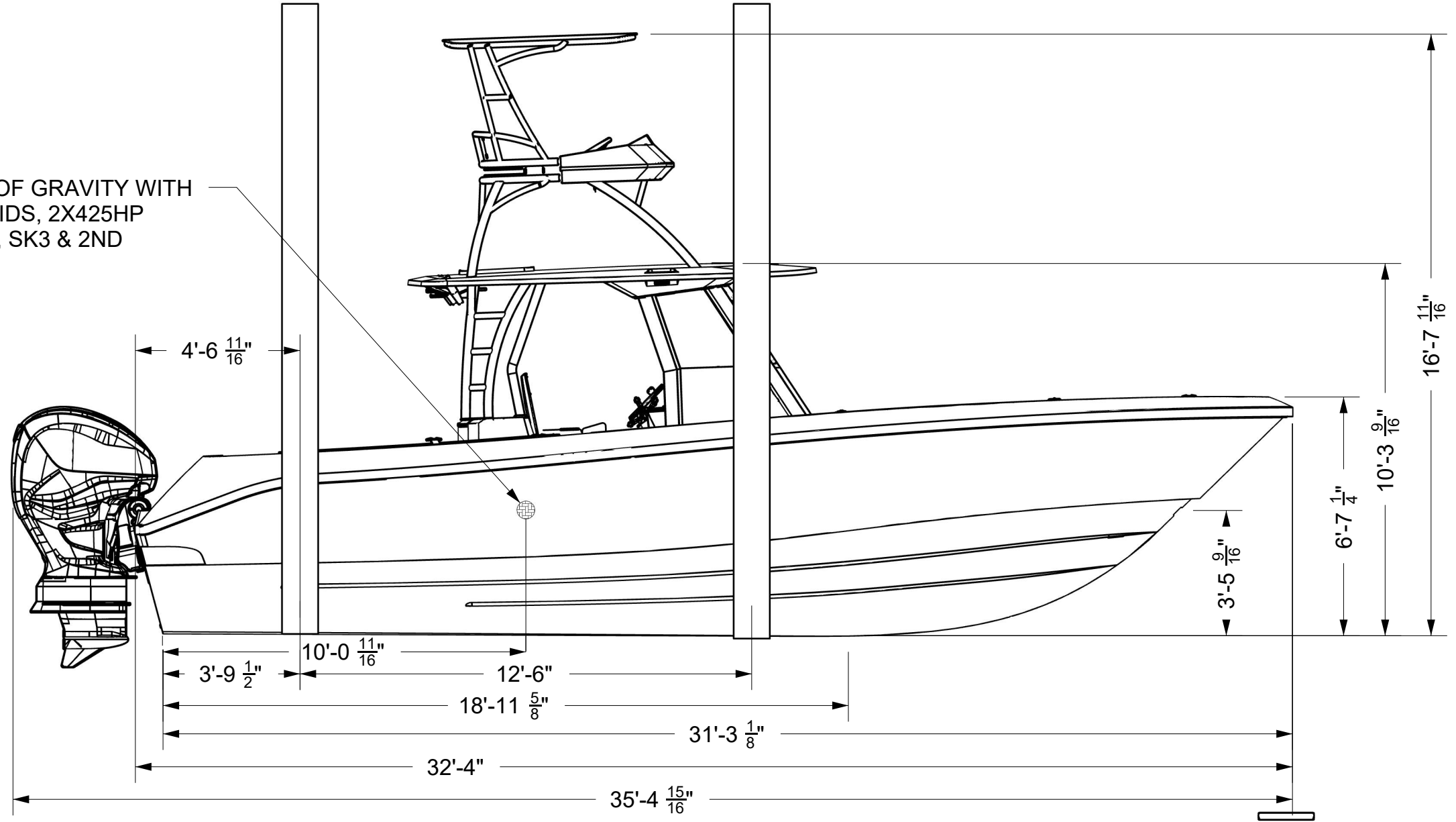
A

B

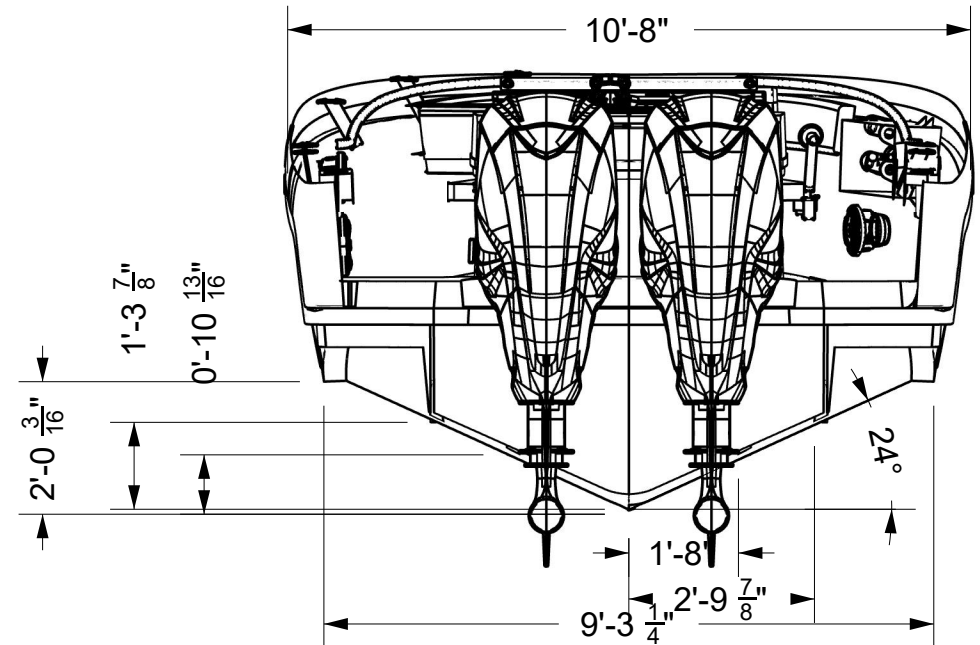
C

D

CENTER OF GRAVITY WITH FULL FLUIDS, 2X425HP ENGINES, SK3 & 2ND STATION



- NOTES:
 1) FULL FLUIDS WEIGHT WITH 2 X 425HP YAMAHA ENGINES, SEAKEEPER 3 & SECOND STATION OPTIONS 15,725 LBS
 2) ACTUAL VESSEL WEIGHT CAN BE DIFFERENT DUE TO CONFIGURATION AND LOADING
 3) STRAKES ARE 2-1/8" WIDE AT AFT END



1

2

3

4

5

6

REV	DESCRIPTION	DATE	APPR BY

EVERGLADES
 RJ Dougherty Associates
 544 S Airpark rd.
 Edgewater, FL 32132-3043
 386-4092202

Drawn by: CLW
 Appr by: Chkd by:

Dwg No: 335-100-01
 Sheet: 1 OF 1

Scale: 1:1
 Date: 5/5/2020

Title: 335CC GRAVING PLAN
 Model: 335CC
 Part No.

1

2

3

4

5

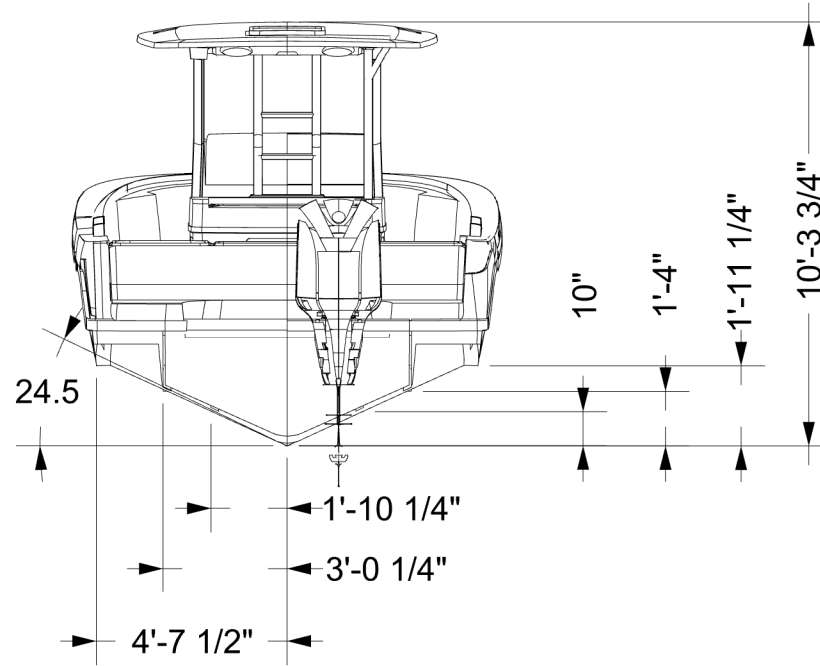
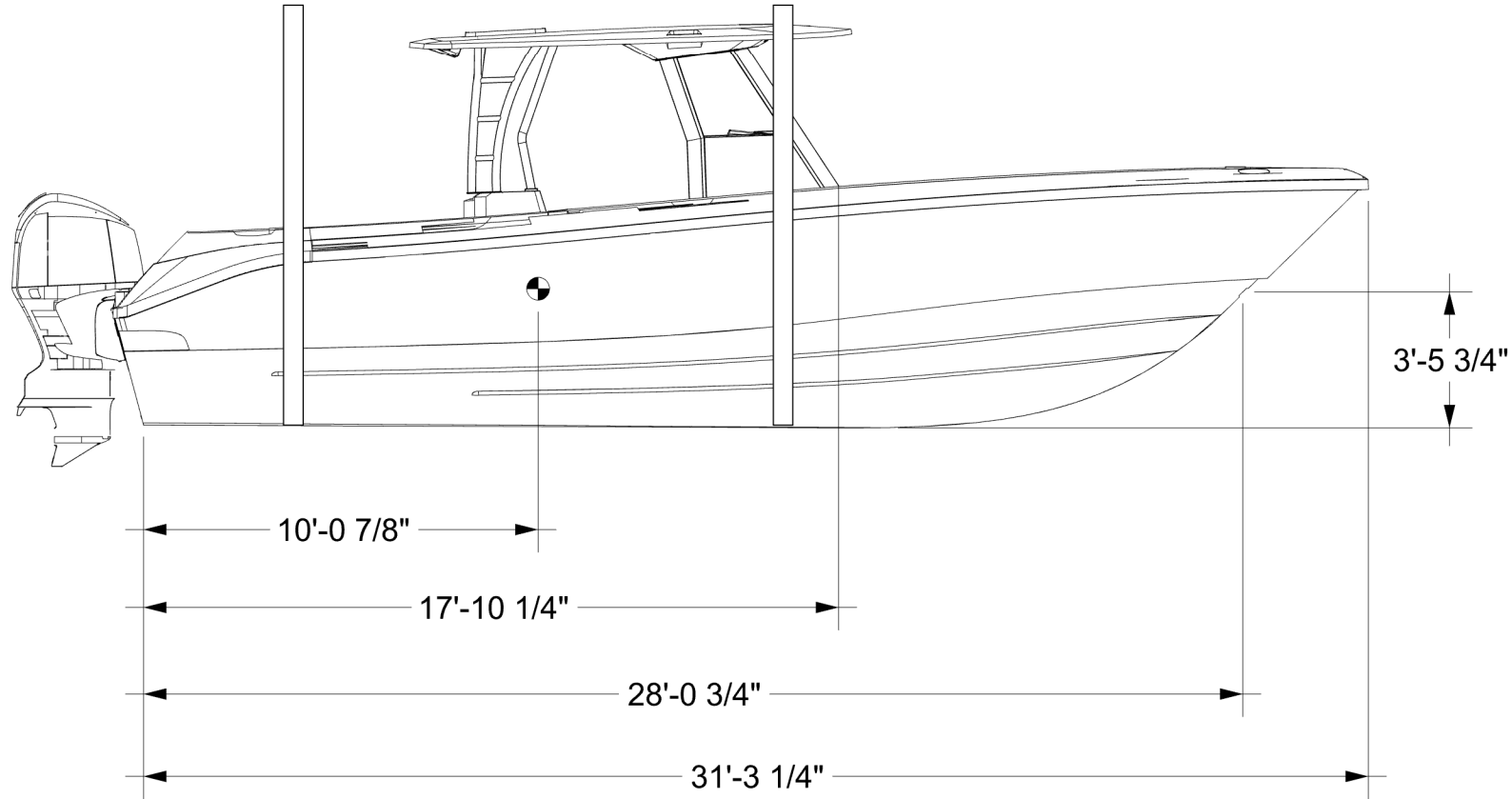
6

A

B

C

D



NOTES:
 1) 14,000 LBS FULL FUEL & WATER
 2) CENTER OF GRAVITY SHOWN WITH TWIN 350 YAMAHA'S
 3) STRAKE 2 1/8" WIDE AT AFT MOST POINT

Rev	Description	Date	App by
EVERGLADES RJ Dougherty Associates 544 S Airpark rd. Edgewater, FL 32132-3043 386-4092202			

Title: GRAVING PLANS	Dwg No: 330-100-00	Drawn by: Z. EDMUNDS
	Scale: 1:56	Date: 3/28/2018
Model: 335 CC	Part No.	Sheet: 1 OF 1
		Appr by:
		Chkd by:

1

2

3

4

5

6